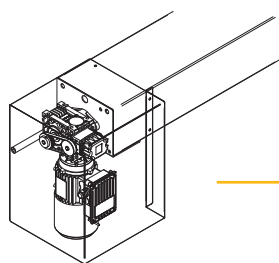




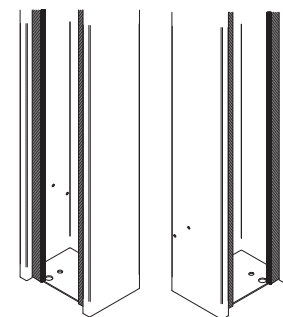
HIGH-SPEED FOLD UP DOORS





UPPER FRAMEWORK

- Upper framework made of steel for a high mechanical strength.
- Pre-assembled components in order to reduce installation time.
- Rolling shaft installed inside the framework and mounted on ball bearings to decrease friction while rotating.
- Separated motor cover in order to access the motor without removing the front cover.
- Laterally mounted geared motor.
- Electrical cables laid inside specific housings for a quick and easy installation.



SIDE RUNNERS

- Lateral framework with high mechanical strength due to its strong steel structure.
- Framework composed by a metal sheet profile.
- Brushes made of soft nylon installed laterally in order to reduce friction with flexible curtain.
- Pre-assembled components in order to reduce installation time.

FLEXIBLE CURTAIN

- Made of polyester fabric coated with coloured PVC.
- High tear strength and high traction resistance, in both warp and weft.
- Wide range of available colours (depending on the type of curtain).
- Optional transparent portholes made of clear PVC and realized on Customer's request that improve safety of pedestrians and vehicles passing through the door.
- Optional portholes with mesh.
- Optional portholes with UV screen.
- Wide range of available weights and configuration for special applications.
- Reaction to Fire Classification System: Class B, according to European Standard EN 13501-1.

STANDARD CURTAIN

- Weight in roll 900 g/m².
- Thickness 0.8 mm approx.
- Wide range of available colours.

INSULATED CURTAIN

- Weight in roll 1300 g/m².
- Thickness 4 mm approx.
- Sponge layer on one side for thermal and acoustic insulation.

TRANSPARENT PORTHOLES

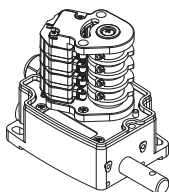
- Material PVC.
- Thickness 0.7 mm approx.
- High transparency grade.

| | | | | | |
|--|-----------------|--|---------------------|--|----------------|
| | RAL 1015 Beige | | RAL 5012 Light blue | | RAL 9005 Black |
| | RAL 1021 Yellow | | RAL 5015 Light blue | | RAL 9016 White |
| | RAL 2004 Orange | | RAL 6026 Green | | |
| | RAL 3002 Red | | RAL 7038 Grey | | |
| | RAL 5002 Blue | | RAL 8017 Brown | | |



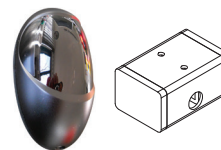
LIMIT SWITCH

- Easy to setup and to fine-adjust.
- Available with no. 2 or 4 cams.
- Both N.O. and N.C. contacts on each cam.
- Available with gear ratio of 1/25 or 1/50.
- Produced in Italy.



PHOTOCELLS

- Infrared beam technology.
- Emitter and receiver system.
- Easy to install and to replace.
- Produced in Italy.



ELECTRICAL DEVICES

- Industrial control panels for any application.
- Wide range of available opening commands.
- Special devices made on Customers' needs.



SPECIFICATIONS

| | |
|----------------------|-----------------------------|
| Supply voltage | 400 Vac ⁽¹⁾ |
| Supply type | Three-phases ⁽¹⁾ |
| Supply frequency | 50 Hz |
| Control panel | Automatic |
| Motor type | Asynchronous |
| Motor duty cycle | S1 100 % |
| Gearbox type | Worm |
| Wind load resistance | Up to class 5 |

| | |
|-----------------------|-----------------------|
| Maximum width | 15 m |
| Maximum height | 10 m |
| Maximum area | 100 m ² |
| Opening speed | Up to 0.8 m/s or more |
| Limit switch | Mechanical |
| Panel type | Flexible |
| Framework | Metallic |
| Cycles ⁽²⁾ | 1.000.000 |

(1) Supply 230 Vac single-phase or three-phases on request

(2) flexible panel and wear material excluded

SAFETY EDGE

- Electrically conductive rubber.
- Base aluminium profile.
- High sensitivity to object detection.
- High reliability without maintenance.
- Fully complies with EU rules.
- Produced in Germany.



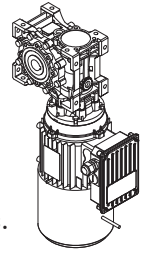
WIRELESS SYSTEM

- Safety edge wireless connection.
- Operative frequency of 868 MHz.
- Supplied with batteries that last 2 years.
- Fully complies with EU rules.
- Produced in Spain.

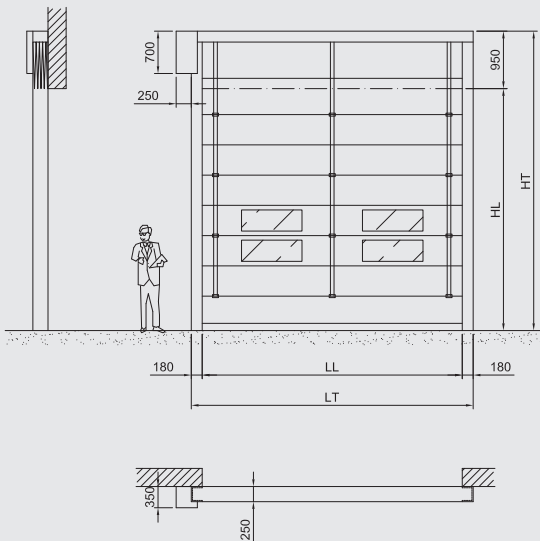


GEARED MOTOR

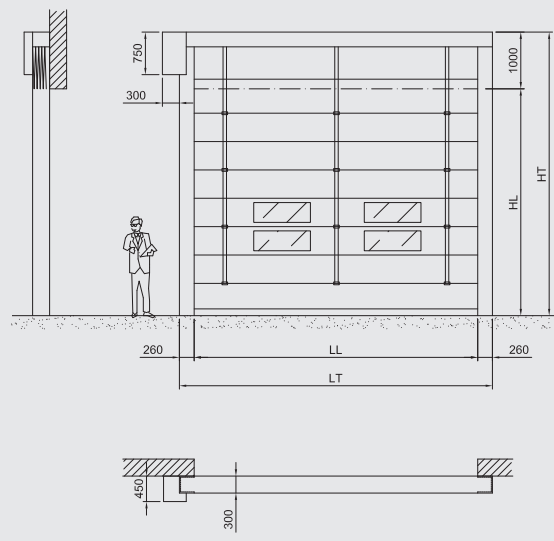
- Three-phases asynchronous motor.
- Standardized dimensions and power.
- Heavy duty cycle S1 – 100%.
- Aluminium case with cooling fins.
- Ventilation fan with radial blades.
- Brake with high blocking torque.
- Protection degree: IP 54 / optional IP 55.
- Worm geared system.
- Lubricated for life.
- Produced in Italy.



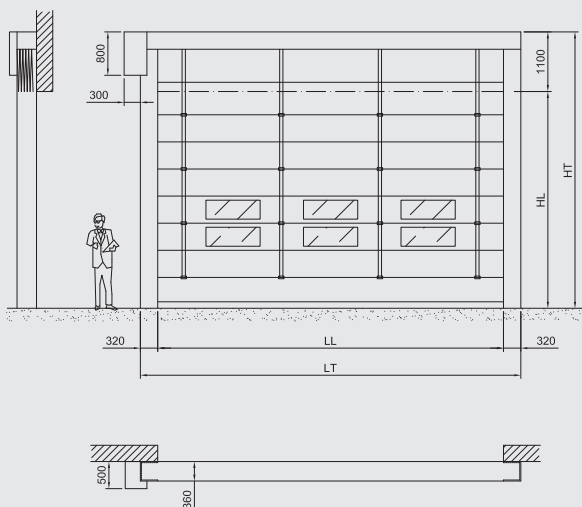
DIMENSIONS – TYPE 1



DIMENSIONS – TYPE 2



DIMENSIONS – TYPE 3



EUROPEAN STANDARD COMPLIANCE

- Fully complies with rule EN 13241-1.
- "Standard for industrial, commercial and garage, doors and gates".
- Maximum safety to avoid any injury to workers while opening and closing.
- Door submitted to a strict "Initial Type Test" carried out by the manufacturer under the control of an organism registered with the Italian Ministry of Economic Development.
- CE declaration and CE marking.

